

**LUBRICATION  
ORDER**

**LO 10-4230-203-15**

6 AUGUST 1965

**DELOUSING OUTFIT: POWER DRIVEN, GASOLINE ENGINE, 4  
CYCLE AIR COOLED, 3600 RPM 4.7 HP, 10 DUSTING  
GUNS (CURTIS AUTOMOTIVE DEVICES INC.,  
MODEL CDR-70000) W KOHLER  
ENGINE MODEL K161P**

Reference; C9100-IL

Intervals are based on normal hours of operation. Reduce to compensate for abnormal operation and severe conditions. During inactive periods sufficient lubrication must be performed for adequate preservation.

Relubricate after washing.

Clean parts with SOLVENT, dry-cleaning, or with OIL, fuel, Diesel. Dry before lubricating.

Clean fittings before lubricating.

Drain crankcase when hot. Fill and check level.

FOLD

FOLD

**LUBRICANT • INTERVAL**

**INTERVAL • LUBRICANT**

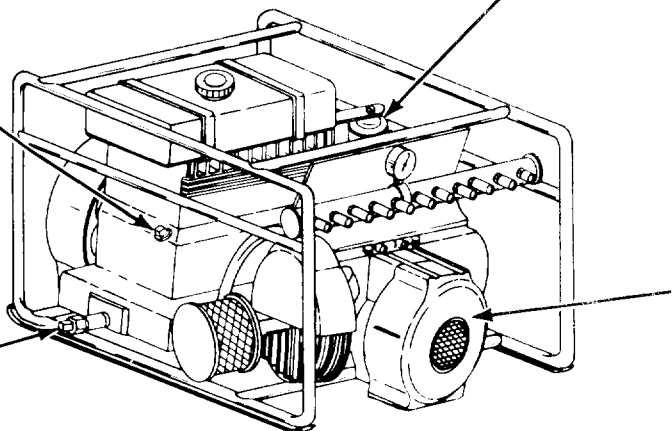
Crankcase Fill and level Cap (Check Level) (See Key)

OE

5

Crankcase Drain (Drain and Refill)

25



5 OE

Air Cleaner (Refill Oil Reservoir To Level Mark; Every 25 Hours Disassemble Entire Unit, Clean, Re-oil And Reassemble (See Key)

Air Compressor (Sealed Bearings, No Lubrication Required)

- KEY -

LUBRICANTS	CAPACITY	EXPECTED TEMPERATURES			INTERVALS
		Above +32°F	+40°F to -10°F	0°F to -65°F	
<b>OE</b> Oil, Engine, Heavy Duty					Intervals given are in hours of normal operation
Crankcase	1 1/4 qt.	<b>OE 30</b> or <b>9250</b>	<b>OE 10</b> or <b>9110</b>	<b>OES</b>	
Air Cleaner	5/32 qt				
Oil Can Points					
<b>OES-</b> Oil, Engine Sub-Zero					

NOTES:

1. FOR OPERATION OF EQUIPMENT IN PROTRACTED COLD TEMPERATURES BELOW -10°F. Remove Lubricants prescribed in the key for temperatures above -10°F. Clean parts with SOLVENT dry-cleaning. Relubricate with lubricants specified in the key for temperatures below -10°F.

A copy of this Lubrication Order will remain with the equipment at all times; Instructions contained herein are mandatory.

BY ORDER OF THE SECRETARY OF THE ARMY:

HAROLD K. JOHNSON  
General, United States Army  
Chief of Staff.

OFFICIAL:

J. C. LAMBERT,  
Major General, United States Army  
The Adjut General.

2. OIL CAN POINTS. Every 100 hours lubricate control linkages and all exposed adjusting threads with OE.

FOLD

FOLD